



CU3030 - 300lb Self-Contained Ice Machine

Prodigy® Undercounter Cuber with Storage



CU3030

Features and Benefits

- Prodigy® undercounter cubers use significantly less energy and water than other cube ice machines, exceeding Federal energy efficiency regulations.
- AutoAlert™ control panel can communicate operating status and signal when it's time to descale, sanitize and more- making upkeep easier.
- The patented WaterSense adaptive purge control delivers maximum reliability by reducing scale buildup for a longer time between cleanings.
- All external panel components are crafted for optimal aesthetic appeal through superior fit and finish.
- Preventative maintenance is simpler than ever with easily-removed door, top panel and storage bin allowing clear access to all internal components and a diagnostic code display insuring the right fix the first time.
- Front removable air filter.
- Includes ice scoop, 6" adjustable legs and 6' power cord.

CU3030 - 300lb Self-Contained Ice Machine

Front Air Filter



24 Hour Volume Production

Air Cooled		Water Cooled	
70°F/21°C 50°F/10°C	Air Water	90°F/32°C 70°F/21°C	70°F/21°C 50°F/10°C
250/114 lb/kg		217/99 lb/kg	310/141 lb/kg
			285/130 lb/kg



Cube Ice

Common ice form, ideal for mixed drinks.



Small Cube
7/8" x 7/8" x 3/8"
(2.22 x 2.22 x .95 cm)



Medium Cube
7/8" x 7/8" x 7/8"
(2.22 x 2.22 x 2.22 cm)



Certification



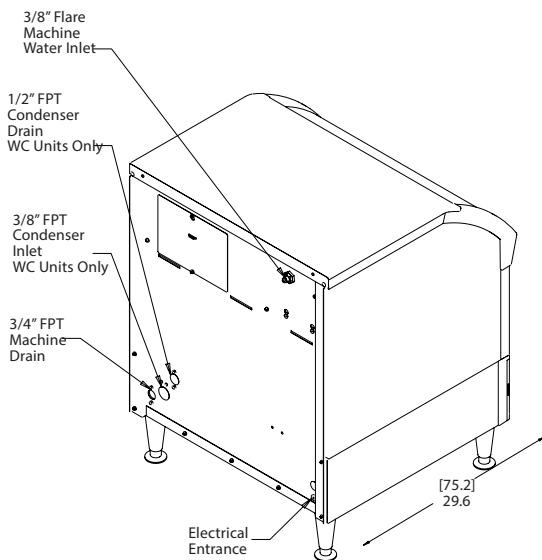
Warranty

- 3 years parts and labor on all components.
- 5 years parts and labor on the evaporator.
- 5 years parts on the compressor and condenser.
- Warranty valid in North, South & Central America for commercial installations.
- Contact factory for warranty in other regions.

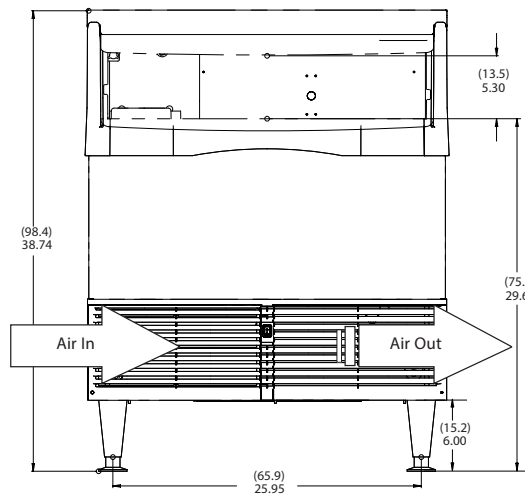


CU3030 - 300lb Self-Contained Ice Machine

Prodigy® Undercounter Cuber with Storage



Installation Note: Allow 6" at back for utility connections



FRONT VIEW



Specifications

Model Number*	Condenser Unit	Storage lb/kg	Basic Electrical Volts/Hz/Phase	Max. Fuse Size or HACR Circuit Breaker (amps)	Circuit Wires	Min. Circuit Ampacity	Energy Consumption kWh/100 lb (45.4 kg) 90°F(32°C)/70°F(21°C)	Water Usage Gallons/100 lb (liters/45.4 kg)		Energy Star®	
								Potable 90°F(32°C)/70°F(21°C)	Condenser 90°F(32°C)/70°F(21°C)		
medium	CU3030MA-1	Air	110/50	115/60/1	15	2	Cord	8.5	18.0/68.2	-	✓
	CU3030MW-1	Water	110/50	115/60/1	15	2	Cord	5.5	18.0/68.2	180/682	
	CU3030MA-32	Air	110/50	208-230/60/1	15	2	Cord	8.5	18.0/68.2	-	
small	CU3030SA-1	Air	110/50	115/60/1	15	2	Cord	8.5	18.0/68.2	-	✓
	CU3030SW-1	Water	110/50	115/60/1	15	2	Cord	8.5	18.0/68.2	180/682	



All Models

Dimensions (W x D x H):

Unit: 30" x 30" x 33"
(76.2 x 76.2 x 83.8 cm)

Shipping Carton: 32" x 33" x 37"
(81.3 x 83.8 x 94.0 cm)

Shipping Weight: 200lb / 91kg

BTUs per hour: 5,200

Refrigerant: R-404A



Accessories

Model Number	Description
KLP85	Kit 6 inch leg SS
KPUFM30	Kit Prodigy undercounter floor mount 30 inch for CU3030 (add .5" to height)

Scotsman recommends all ice machines have water filtration. See Scotsman water filter specification sheet for details.



Operating Requirements

	Minimum	Maximum
Air Temperatures	50°F (10°C)	100°F (38°C)
Water Temperatures	40°F (4.4°C)	100°F (38°C)
Remote Cond. Temps	-20°F (-29°C)	120°F (49°C)
Water Pressures	20 PSIG (1.4 bar)	80 PSIG (5.5 bar)
Electrical Voltage	-5%	+10%

Specifications and design are subject to change without notice.

CU3030 - 300lb Self-Contained Ice Machine